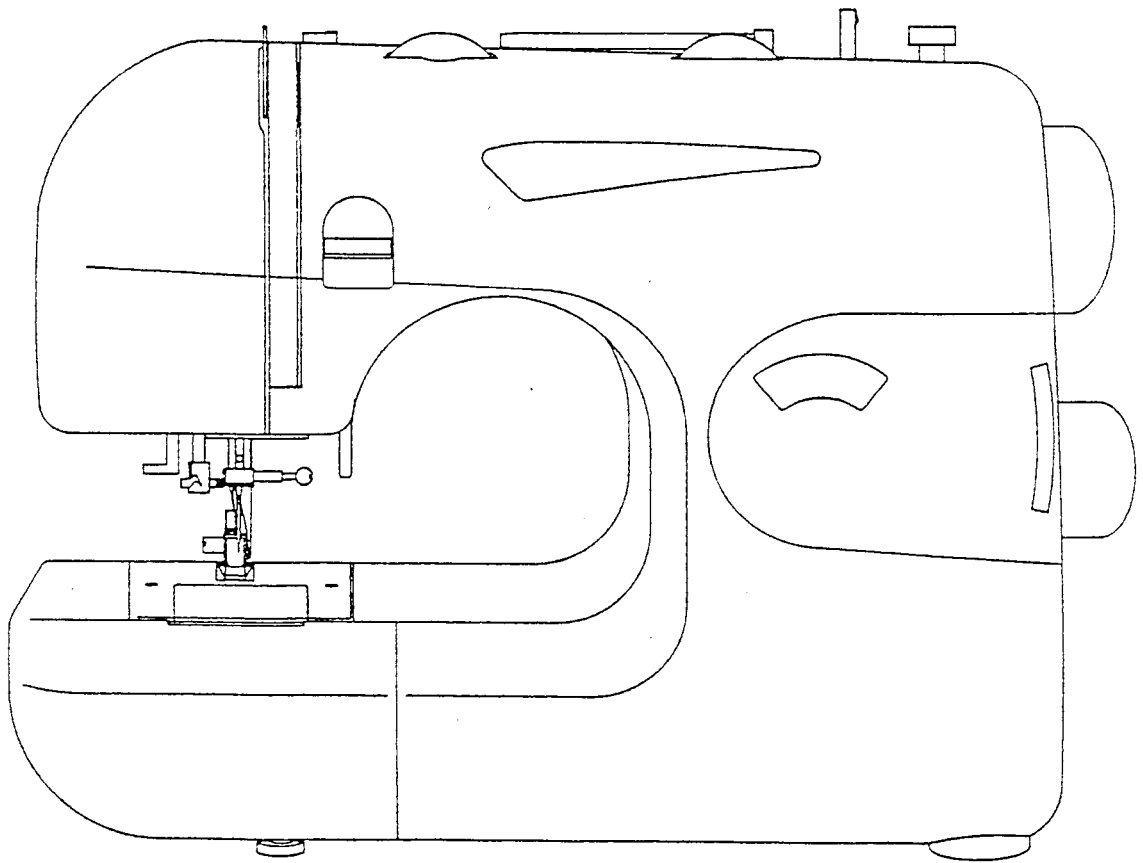


# SINGER

117

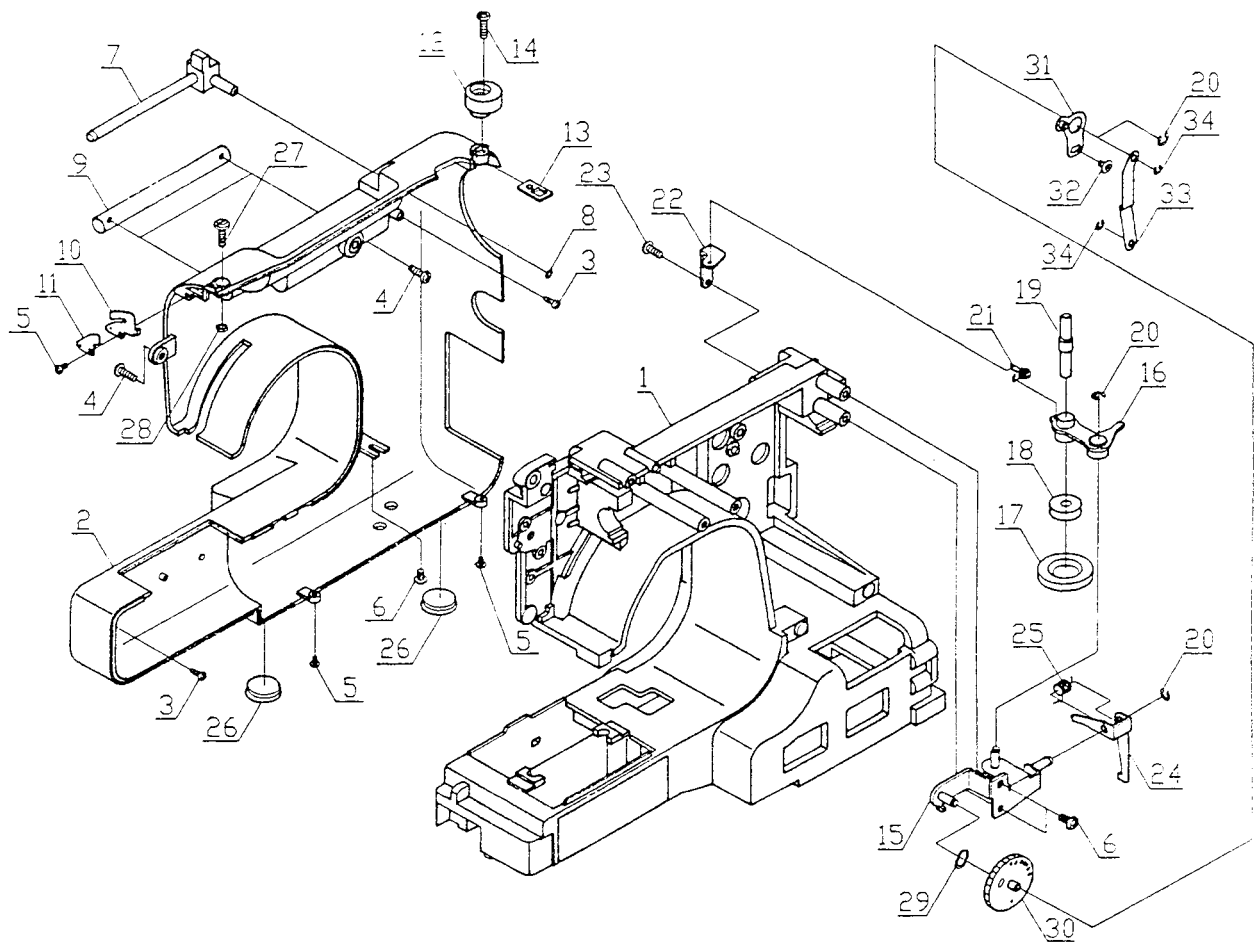
PARTS LIST

**SINGER** *featherweight II*

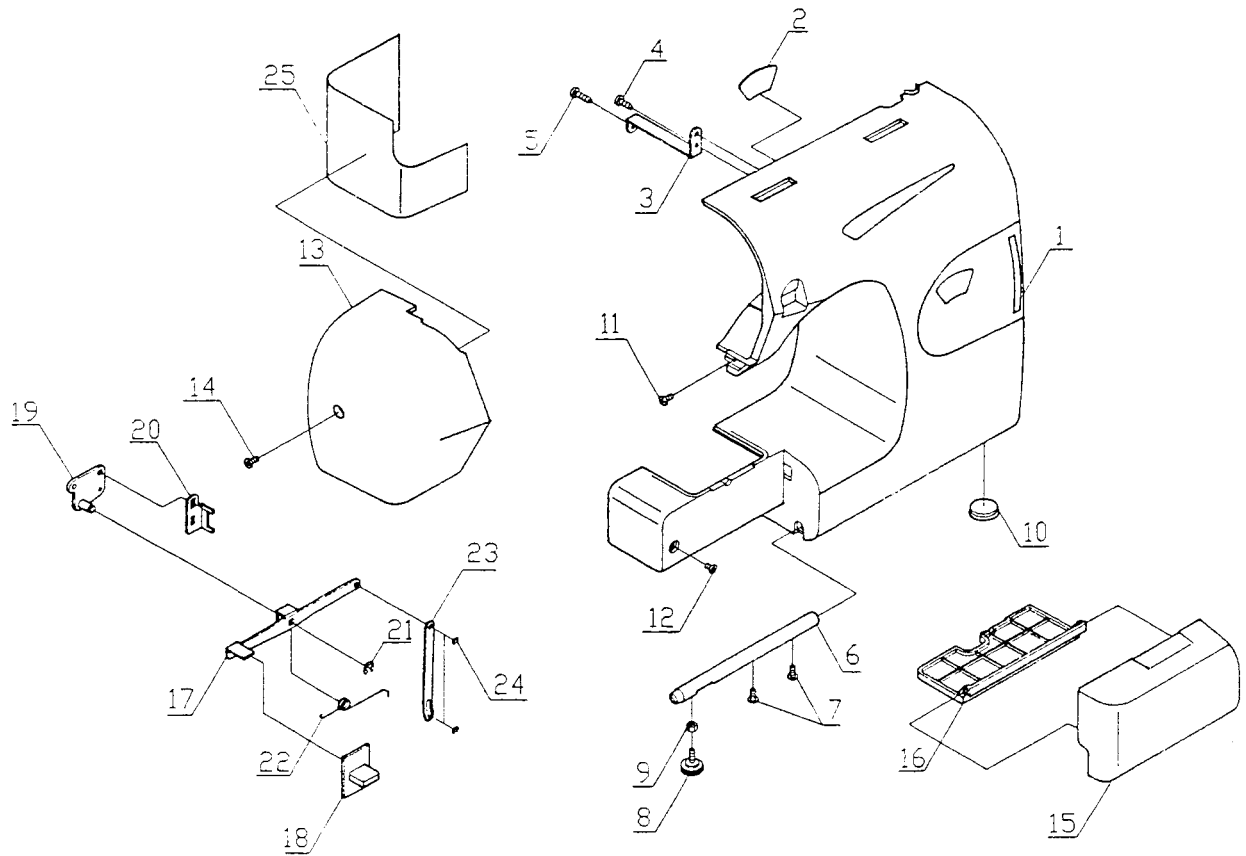


**MODEL 117**

From the library of: Diamond Needle Corp

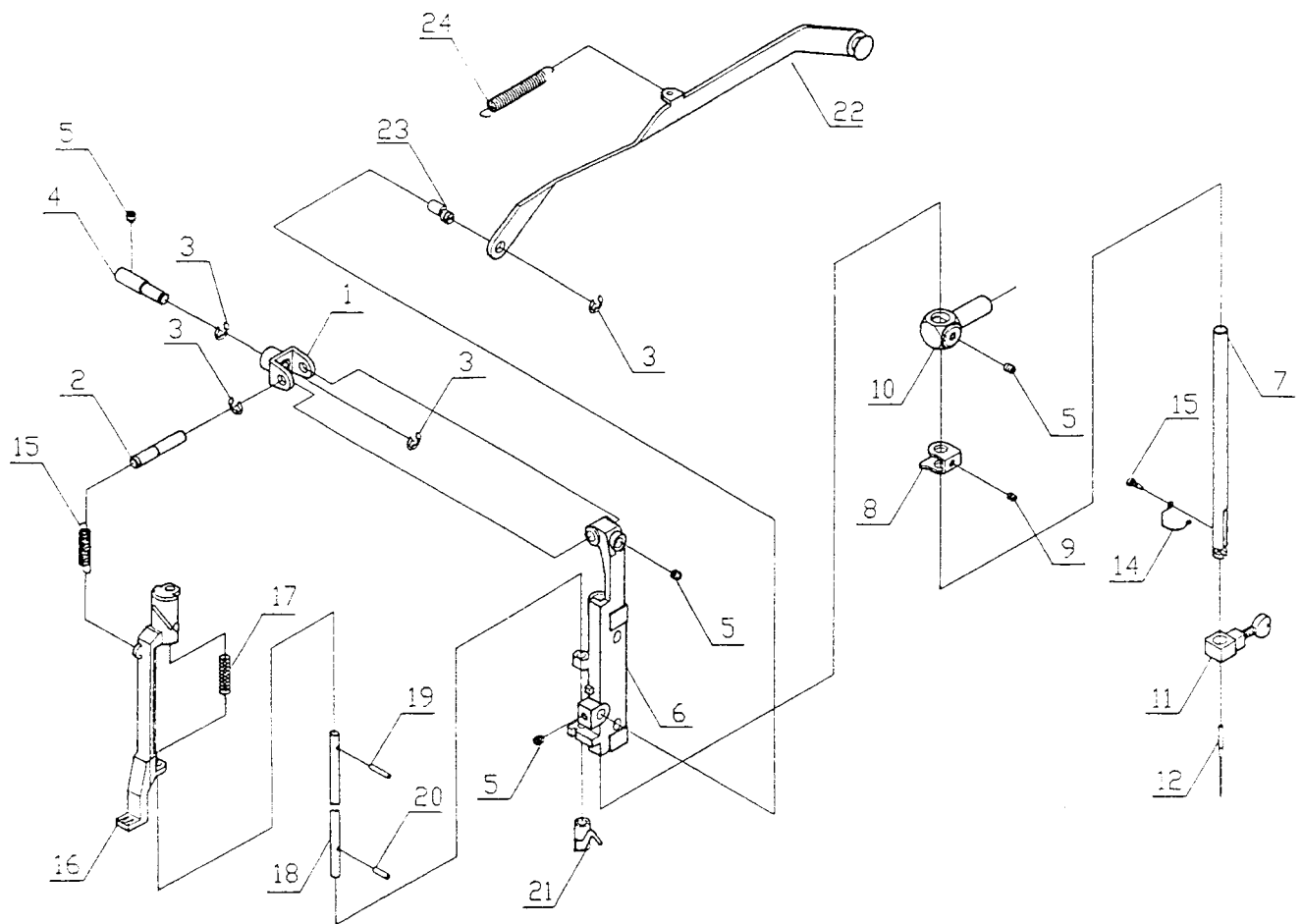


Key	Parts No	Name of Parts	Key	Parts No	Name of Parts
1	168001	Arm	30	168090	Zigzag regulate dial
2	168202	Back cover	31	730181	Zigzag regulate crank
3	000087300	+pan head T screw 3*12	32	000087909	T washer screw 3*6
4	000081503	+binding head screw 4*12	33	730183	Zigzag regulate rod
5	000087908	T screw 3*8	34	000001104	Snap ring E-3
6	000081407	+binding head screw 4*8			
7	168070	Spool pin			
8	000002208	Snap ring CS-6			
9	168069	Handle			
10	168078	Threading guide (A)			
11	168077	Threading guide shrapnel			
12	321143000	Bobbin winder stoper			
13	168068	Front cover bracket			
14	000081706	+binding head screw 4*14			
15	168088	Bobbin winder crank base			
16	168054	Bobbin winder crank			
17	266033008	Bobbin winder felly			
18	266032007	Bobbin winder shaft ring			
19	730028	Bobbin winder shaft			
20	000001207	Snap ring E-4			
21	360046003	Bobbin winder crank spring			
22	168075	Bobbin winder spring holder			
23	000081500	+binding head screw 4*10			
24	168055	Clutch rod			
25	168056	Clutch rod spring			
26	266020006	Rubber cushion			
27	168007	Bobbin winder regulate lead shaft			
28	000010003	Rapid nut M4*0.7			
29	868234	Corrugated washer 9			



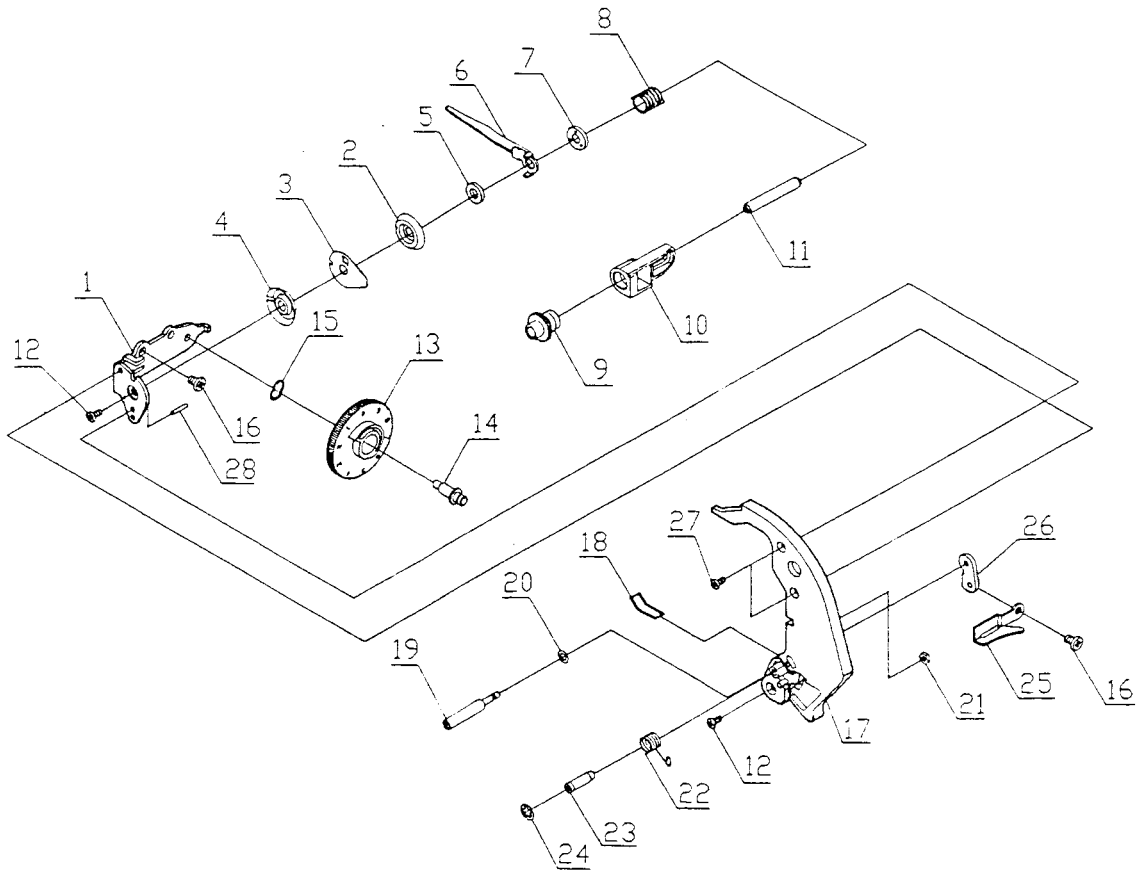
Key	Parts No	Name of Parts	Key	Parts No	Name of Parts
1	168203	Face cover			
2	730301	Model Show Window			
3	168080	Front cover bracket			
4	000087300	+Pan head T screw 3*12			
5	000081706	+pinding head screw 4*14			
6	168071	Detachable foot			
7	000081407	+pinding head screw 4*8			
8	843024	Regulate screw			
9	000010003	Rapid nut M4*0.7			
10	266020006	Rubber cushion			
11	000082408	+pinding head screw 3*6			
12	000081304	+pinding head screw 4*6			
13	168201	Face plats			
14	000081418	+pinding head screw 4*8			
15	168205	DETACHABLE CASE COMPLETE			
16					
17	168048	Reverse feed crank			
18	168052	Reverse feed dial			
19	168047	Reverse feed crank base			
20	168050	Reverse feed crank stop shrapnel			
21	168051	Reverse feed crank spring			
22	000001300	Snap ring F-5			
23	168049	Reverse feed rod			
24	000001104	Snap ring F-3			
25	730169	Face plate heat isolation			



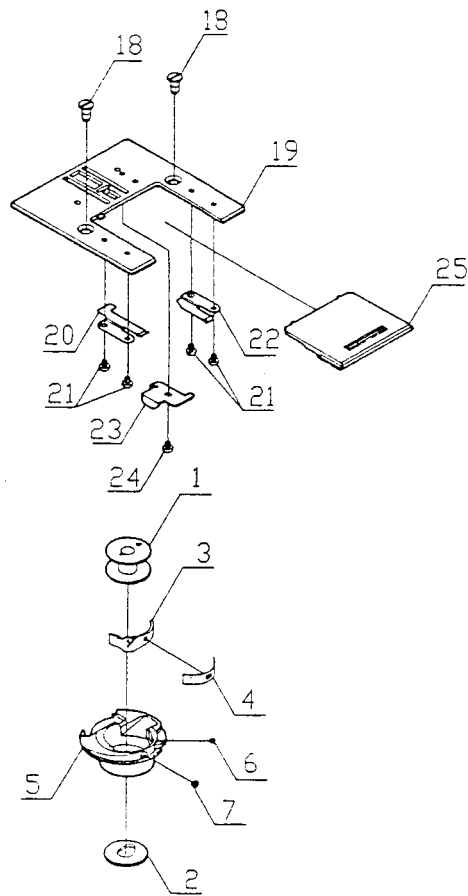
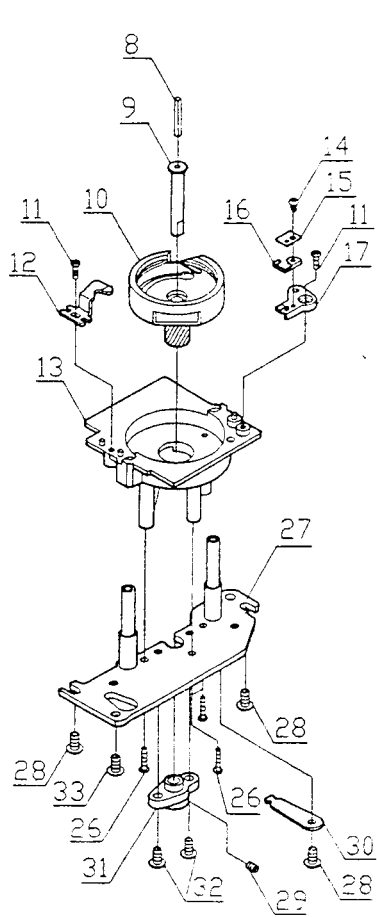


Key	Parts No	Name of Parts	Key	Parts No	Name of Parts
1	730095	Needle bar crank supporter			
2	730096	Needle bar crank pin			
3	000001207	Snap ring E-4			
4	168017	Needle bar crank supporter shaft			
5	000079103	Hexagon socket screw 4*4			
6	730093168	Needle bar crank			
7	730194	Needle bar			
8	270017003	Through thread location plate			
9	000079000	Hexagon socket screw 3*4			
10	281504007	Needle bar connecting stud			
11	320621	Needle clamp			
12	000201209	Needle			
13	262045005	Needle bar thread spring			
14	000085412	Needle bar thread screw			
15	730102	Through thread body spring			
16	730100	Through thread body			
17	730103	Through thread body spring			
18	730195	Through thread bar			
19	000006914	Spring 2*12			
20	000006811	Spring 2*8			
21	270030002	Lead thread body			
22	168093	Zigzag lever			
23	730078	Zigzag lever eccentric pin			
24	730097	Needle bar crank spring			

From the library of: Diamond Needle Corp

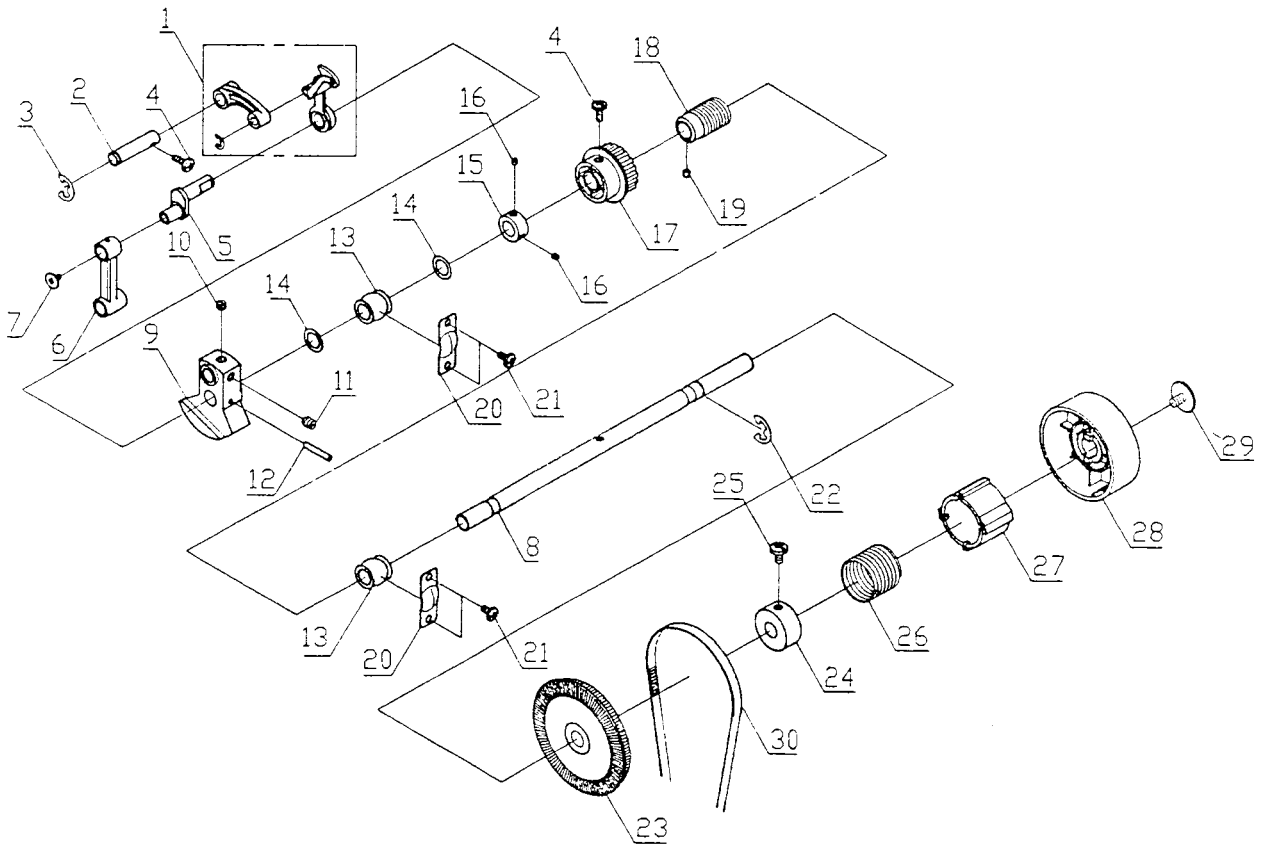


Key	Parts No	Name of Parts	Key	Parts No	Name of Parts
1	730022	Thread tension regulate plate			
2	868060	Thread tension regulate flat (Right)			
3	868059	Middle plate			
4	868060	Thread tension regulate flat (Left)			
5	868138	Plain washer 5.6*15*1			
6	730110	Thread tension connecting plate			
7	868113	Spring set position plate			
8	868115	Thread tension regulate spring			
9	868118	Elastic regulator			
10	730023	Thread tension regulate plate			
11	868116	Thread tension regulator base shaft			
12	000082408	+binding head screw 3*6			
13	868114013	Thread tension regulate dial			
14	730197	Thread tension regulate shaft			
15	868234	Corrugated washer 9 m/m			
16	000081304	+binding head screw 4*6			
17	168204	Threading guide			
18	168066	Threading guide spring			
19	730019	Threading guide shaft			
20	000012200	Plain washer 4*7*0.4			
21	000071002	Hexagon nut 3-3-5.5			
22	730105	thread taked-up spring			
23	262026000	Spring set shaft			
24	000002404	Snap ring CS-4.5			
25	730020	threading guide shrapnel (B)			
26	730009	Front cover set plate			
27	000084709	+Pan head screw 3*6			
28	000007008	Spring pin 1.6*10			



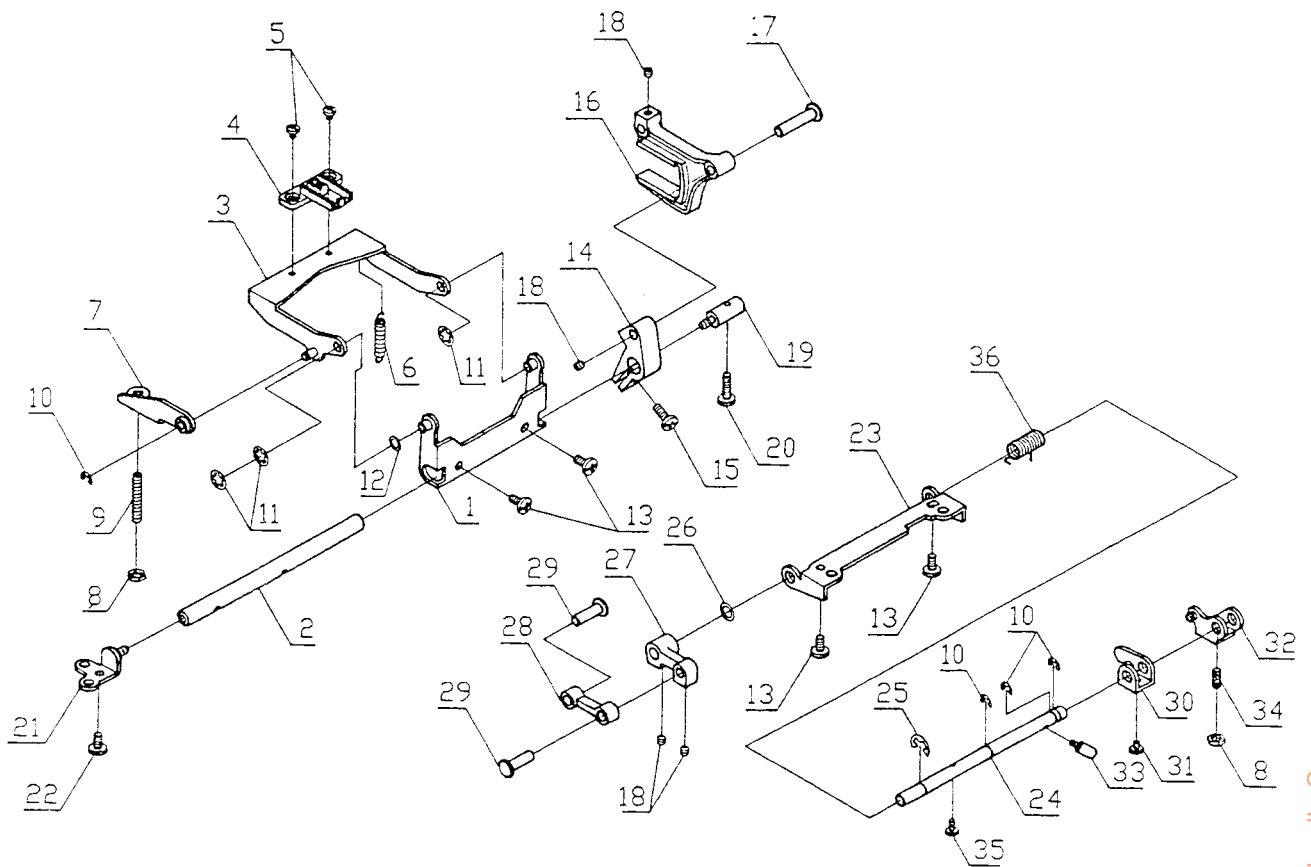
Key	Parts No	Name of Parts	Key	Parts No	Name of Parts
1	730196	Bobbin	30	730118	Feed lifting spring bracket
2			31	730141	Hook race set body
3			32	000084400	+Pan head screw 4*8
4	730610	BOBBIN CASE COMPLETE	33	000080808	Flat head screw 4*14
5					
6					
7					
8	730168	Oil core			
9	730143	Hook race shaft			
10	730144	Hook race			
11	000087012	T screw 3*8			
12	730150	Bobbin case set stop plate			
13	730142	Hook race cover			
14	730176	T screw 2.6*6			
15	168108	Stop shrapnel holder			
16	730152	Bobbin case stop shrapnel			
17	168109	Stop shrapnel base			
18	266017000	Flat head set screw			
19	168096	Needle plate			
20	730147	Slide plate shrapnel (Left)			
21	730175	Set screw (Slide shrapnel)			
22	730217	Slide plate shrapnel (Right)			
23	730151	Bobbin case stop plate			
24	730174	Set screw (Bobbin case stop plate)			
25	168081	Slide plate			
26	000087300	+Pan head T screw 3*12			
27	168061	Hook race base			
28	000081407	Bobbin case stop plate			
29	000079206	Hexagon socket screw 4*6			



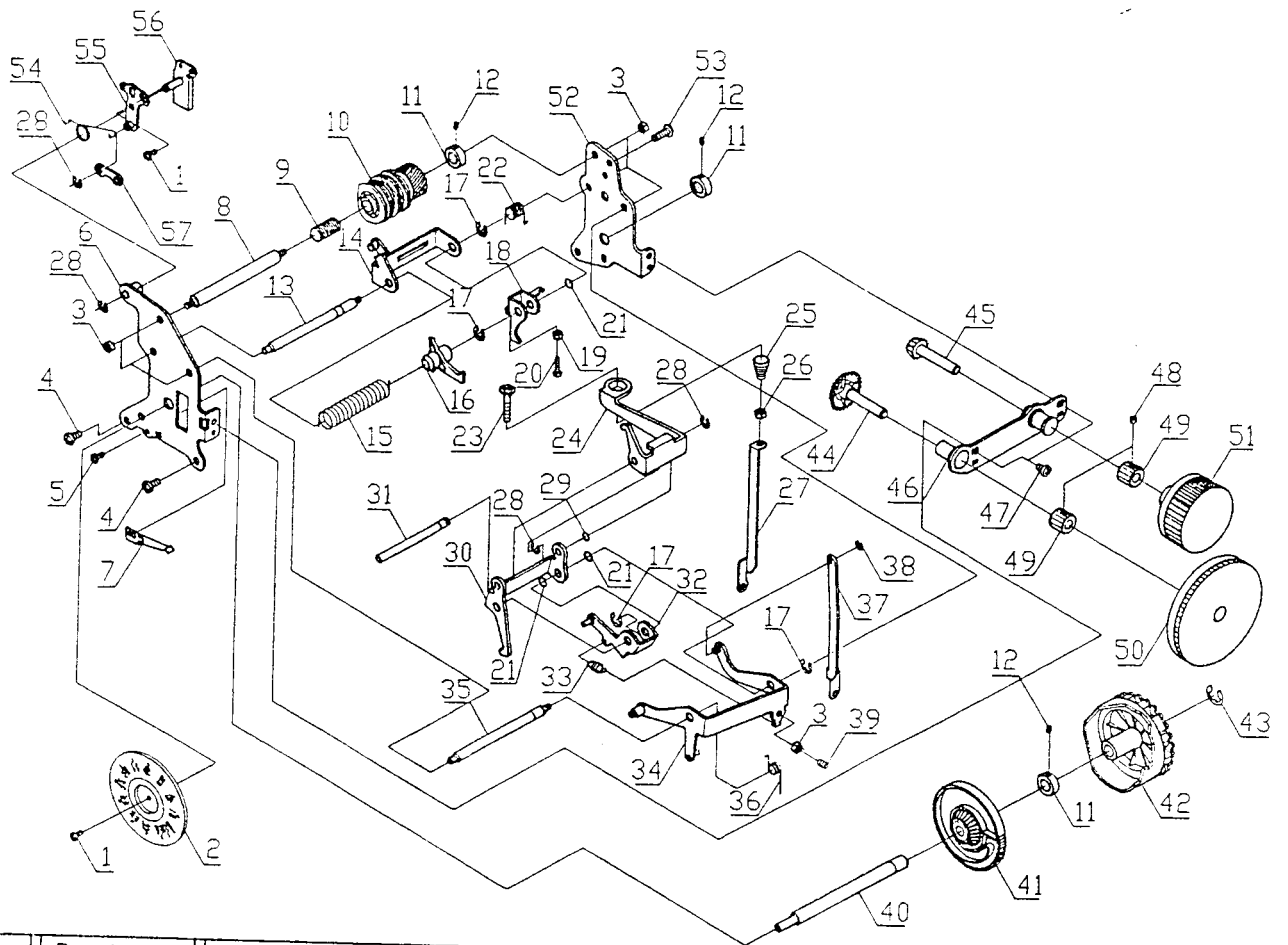


Key	Parts No	Name of Parts	Key	Parts No	Name of Parts
1			30	000093011	Motor belt (460-2GT)
2					
3					
4	168503	THREAD TAKE-UP COMPLETE			
5					
6					
7					
8	168008	Upper shaft			
9	168009	Thread take-up crank			
10	101040008	Set screw SM15/64-28*6.5			
11	574057006	Set screw SM15/64-28*4			
12	000006408	Spring pin 3*20			
13	268007209	Upper shaft bushing			
14	000013305	Thrust washer 10.2*15*0.5			
15	620060008	Upper shaft ring			
16	000079608	Hexagon socket screw 11/64*4			
17	168010	Timing gear A			
18	268004212	Upper shaft worm			
19	000079103	Hexagon socket screw 4*4			
20	268005220	Bushing plate			
21	000081407	+binding head screw 4*8			
22	000001609	Span ring F-9			
23	168011	Timing pulley			
24	168012	Clutch bushing			
25	000079309	Hexagon socket screw 5*5			
26	868031	Clutch spring			
27	868030	Clutch			
28	168013010	Hand wheel			
29	868024	Stop motion large screw			





Key	Parts No	Name of Parts	Key	Parts No	Name of Parts
1	730138	Feed dog base crank	30	168059	SS regulate crank
2	730130	Feed rock shaft	31	000081304	+binding head screw 4*6
3	730137	Feed dog base	32	168060	BH regulate crank
4	168100	Feed dog	33	730055	Feed regulate crank
5	000082305	+binding head screw 3*5	34	000077008	Set screw 4*12
6	730139	Feed dog base spring	35	000082408	+binding head screw 3*6
7	730117	Feed lifting crank	36	730053	Feed regulate spring
8	000010003	Rapid nut M4*0.7			
9	730171	Screw			
10	000001104	Snap ring F-3			
11	000002002	Snap ring CS-5			
12	281040009	Plain washer 5.6*15*1			
13	000081407	+binding head screw 4*8			
14	730129	Feed rock crank			
15	000081603	Set screw 4*12			
16	730107	Feed driving rod			
17	730108	Feed driving rod shaft			
18	000079103	Hexagon socket screw 4*4			
19	730133	Feed rock shaft index pin			
20	000081706	+binding head screw 4*14			
21	730132	Feed rock shaft index pin plate			
22	000084400	+Pan head screw 4*8			
23	168057	Feed regulate shaft base			
24	168058	Feed regulate shaft			
25	000001300	Snap ring F-5			
26	000013017	Plain washer 6.2*9.5*0.13			
27	730048	Feed regulate crank			
28	730049	Feed regulate rod			
29	730052	Feed regulate set pin			



Key	Parts No	Name of Parts	Key	Parts No	Name of Parts
1	000082408	+binding head screw 3*6	30	168031	SS selector crank
2	168072	Pattern indicator	31	168036	SS crank shaft
3	000071105	Hexagon nut 4-3-7	32	168046	BH crank
4	000081407	+binding head screw 4*8	33	730056	Feed connecting crank spring
5	000082305	+binding head screw 3*5	34	168037	Feed regulate crank
6	168089	Base (bornt)	35	168079	Feed regulate crank shaft
7	168020	feed regulate cam	36	168035	SS crank spring
8	168022	Pattern cam shaft	37	168039	Feed regulate rod
9	730040	Pattern cam spring	38	000001104	Snap ring F-3
10	168091	pattern cam	39	000077008	Regulate screw M4*0.7
11	268005417	Pattern cam shaft ring	40	168025	Pattern selector cam shaft
12	000079000	Hexagon socket screw 3*4	41	168024	Feed regulate cam
13	168038	Claw shaft	42	168092	Pattern selector cam
14	168028	Claw support bracket	43	000001505	Snap ring F-7
15	168030	Claw spring	44	168044	Feed dial gear
16	168029	Claw	45	168043	Pattern selector dial gear
17	000001300	Snap ring	46	168042	Detachable base
18	168026	Control crank	47	000081304	+binding head screw 4*6
19	000071002	Hexagon nut 3-3-5.5	48	000079505	Hexagon socket screw 4*3
20	986129	Regulate screw	49	268007613	Stitch length ring
21	281040009	Plain washer 5.1*7.3*0.5	50	168209	Pattern regulator dial
22	168027	Control spring	51	168073	Pattern selector dial
23	168033	SSregulate screw	52	168041	Base (back)
24	168032	SSclaw	53	000081603	+binding head screw 4*12
25	261006419	BH feed spring	54	168194	Zigzag regulator spring
26	000010003	Rapid nut M4*0.7	55	168085	Zigzag crank
27	168040	SS rod	56	168087	Zigzag regulator
28	000012007	Snap ring F-4	57	168086	Zigzag crank rod
29	266011004	Plain washer 5.1*10*0.5			





